



TOOLS REQUIRED

- 5/16" : 9/16" : 7/8" : 1/2" Box End Wrench
- 1/4" Ratchet and 6" Extension
- 1/2" Socket 1/4" Drive
- 3/8" Ratchet with 9/16" Socket
- Flat Blade Screw Driver
- 3/16" Allen Wrench
- 5/16" Nut Drive
- Snap Ring Pliers
- Hi-Temp Silicone Sealer

ITEMS SUPPLIED

Description	Part #	Qty
Header Pipe		1
Front & Rear Heat Shield		1 ea
Collector Heat Shield		1
Muffler		1
2 1/4" Stainless Hose Clamp	16-00285	6
3" Stainless Hose Clamp	16-00295	1
2 5/8" Barrel Clamp	16-00290	1
Exhaust Gaskets	20-00003	1pr
5/16-18 Nylok Nut	35-00005	2
5/16-18 x 5/8" Hex Bolt	35-00002	2
5/16-18 Flat Washer	35-00007	2
O2 Bung Plug 12mm	35-00085BA	1pr
O2 Bung Plug 18mm	35-00083BA	2
1/2" Spacer	29-00028B	2
1/2-13 x 1 1/2" Socket Head Bolt	35-00035	2
Transmission Support Bracket	200-0190	1
3/8-16 x 1 1/4" Carriage Bolt	35-00038	1
3/8-16 Serrated Flange Nut	35-00039	1
Instructions + Warranty		1

PLEASE NOTE

Our warranty applies only when the system is installed correctly and used for its intended purpose. Warranty does not apply when damage is the result of normal wear and tear, improper use, neglect or incorrect engine configuration. See warranty notice in box for more information.

TUNING

Adjustment of fuel injection is REQUIRED to optimize performance and minimize chrome discoloration. We recommend that adjustment of fuel injection be performed by QUALIFIED technicians on a dynamometer utilizing an Exhaust Gas Analyzer.

Installation Instructions

HARLEY DAVIDSON 1995-2008 FL 2-1 EXHAUST SYSTEM

Rev 1-29-2015

Thank you for buying a RINEHART exhaust system. We are committed to providing you a quality product that with the proper installation and care will last you for many years to come.

Please be sure to read the instructions fully and inspect all components of your new system before installation. If you need help removing your stock mufflers and/or head pipes, or how to install the Rinehart Racing exhaust system, please consult our factory or a professional mechanic. Please keep all OEM parts as some may be used for the installation of the RINEHART exhaust system. If you are installing the system and are not the owner, please return these instructions to the owner as they contain important information that may be required at a later date.

If you have questions pertaining to the installation, please contact our technical service department: 1.877.264.8282 or www.rineharracing.com

Exhaust systems manufactured by Rinehart Racing are non-catalyst. A stock catalyst exhaust system cannot be replaced with a non catalyst exhaust system. Please verify the application with your dealer before purchase.

INSTALLATION INSTRUCTIONS

1. Remove left and right saddlebags.
2. Remove right side front floorboard.
3. Remove OEM mufflers.
4. Remove OEM heat shields from both exhaust pipes.
5. Loosen OEM rear pipe clamp.
6. Remove OEM rear pipe and O2 sensor if applicable.
7. Remove OEM exhaust bracket clamp from front pipe.
8. Remove OEM exhaust flange nuts (4ea).
9. Remove OEM front pipe and O2 sensor if applicable.
10. Remove the exhaust flange and retainer ring off of the OEM exhaust and slide the exhaust flange and retainer rings onto the RINEHART exhaust headers. If needed, replace damaged retainer rings. The machined recess should face the retainer ring.
11. **Remove the OEM exhaust gaskets from the cylinder heads.** It may be necessary to pry the exhaust gaskets from the head using a scribe or a small screwdriver. *Do not damage the cylinder head!*
12. Replace OEM exhaust gaskets with the supplied James Gaskets, make sure to seat the new gaskets into the cylinder head. **Failure to use provided James Gaskets WILL alter the fitment of the system.**
13. Install the Rinehart 2-1 header. Place in the front cylinder head first then the rear. It may be necessary to pull back slightly on the header to get it in the rear cylinder head. Leave the exhaust flange nuts finger tight.
14. Replace the transmission support bracket using the (supplied) bracket and OEM bolts. Torque to 8-10ft. lbs.
15. Attach the header support tab to the transmission support bracket using (supplied) 3/8-16 x 1" carriage bolt and nut.
16. Tighten the cylinder head exhaust flange nuts. Torque to 10-12ft lbs.
17. Install the heat shield clamps into the heat shield.
18. Install the heat shields starting with the rear pipe first, then the front pipe, and then the collector heat shield. Leave the collector heat shield loose, **failure to do so may result in scratching the muffler!! Tech Tip: Use black electrical tape on the collector to prevent scratching the muffler.**
19. Slide the 2 5/8" barrel clamp over the inlet of the muffler. Note: Apply a bead of Permatex Ultra Copper High Temp Silicone Sealer to muffler inlet. Now slide the muffler body onto the header pipe, with the end cap screws toward the rear tire of the motorcycle. Install the 5/16-18" x 5/8" hex bolts (supplied) into the muffler mounting bracket and install through OEM bracket assembly. Install 5/16" x 18" locking nuts (supplied) and tighten. Torque 8-10ft lbs.
20. Tighten the 3/8-16 x 1 carriage bolt and nut.

21. Tighten the collector heat shield clamp.
22. Install the needed O2 sensor port plugs or sensors and torque to manufacturer specifications.
23. Using the ½-13 x 1 ½ SHCS and OEM flat and lock washers return the right front floor board to its stock mounting holes place the ½" spacers between the frame and the floor board bracket.

Important! Wipe down complete system with glass cleaner *before* starting bike to remove any finger prints or dirt. **Note: Finger prints that are not removed before running will become permanently etched in the pipes.**

Check all mounting fasteners after first ride and again at all service intervals.

CLEANING:

Never use harsh chemicals or any type of abrasive material to clean the chrome or ceramic coating on this exhaust system. We recommend using a soft nonabrasive cloth with a mild detergent such as liquid dish soap.

Emissions Notice: The State of California does not permit the use of aftermarket exhaust systems that remove original equipment catalysts unless a California Air Resources Board (CARB) Executive Order has been issued. Exhaust systems that remove original equipment catalysts are legal in California for racing use only. Replacing a catalyst equipped exhaust system with a non-catalyst exhaust system on a registered vehicle in the State of California is illegal and may subject the parties involved (including but not limited to the owner, driver, consumer, mechanic and dealership) to fines and penalties and such action is strictly prohibited by Rinehart Racing™.

This Limited Warranty contains the sole express warranty made by Rinehart Racing™ ("Company") in connection with exhaust products sold by Company ("Product"). BY PURCHASING OR ACCEPTING THE PRODUCT, THE BUYER ACKNOWLEDGES THAT THE LIMITATION OF LIABILITY IS PART OF THE TERMS OF SALE, CONSTITUTES A BINDING AGREEMENT, AND MAY BE ENFORCED AGAINST YOU BY COMPANY. Any warranties, if separately provided in writing, are extended only to the Buyer whose name is shown on Company's invoice.

Rinehart Racing™ exhaust products are warranted against defects in material or workmanship for a period of 18 months from the date of the original invoice. This does not cover finishes such as plating or painted surfaces with discoloration, corrosion, or rust. Discoloration is not a warrantable item and is a result of improper fuel calibration. This warranty shall be limited to the repair or replacement of the defective part, which may be proven defective under normal use. Rinehart Racing™ will not warranty any product that has been abused, misused, improperly installed, or modified. Any part that is repaired or replaced under this warranty will, itself, be warranted only for the remainder of the warranty period of the original product being repaired or replaced. This warranty is non-transferable and is limited to the original retail purchaser.

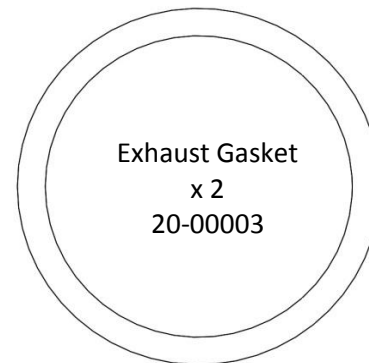
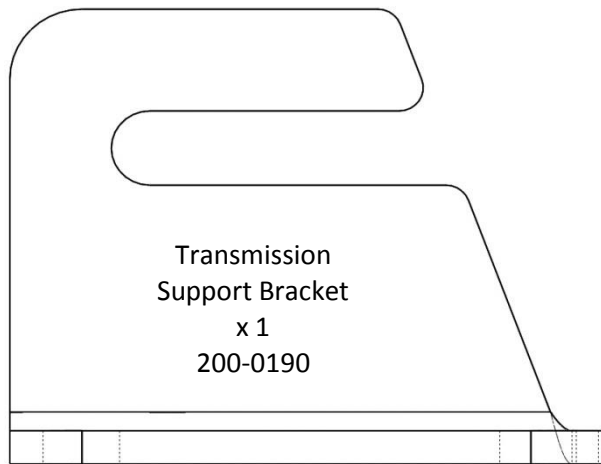
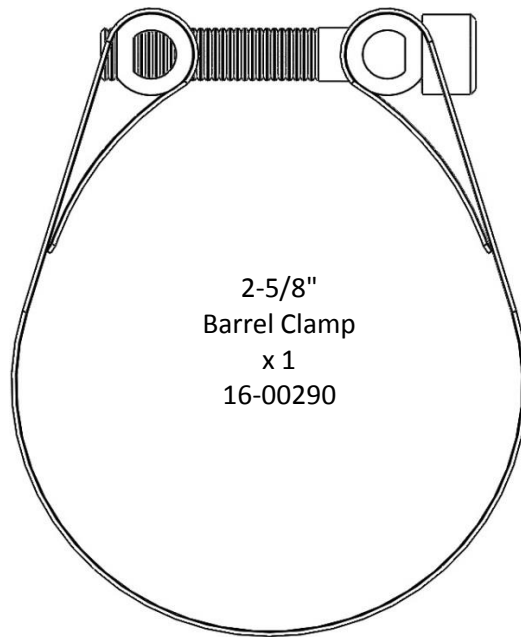
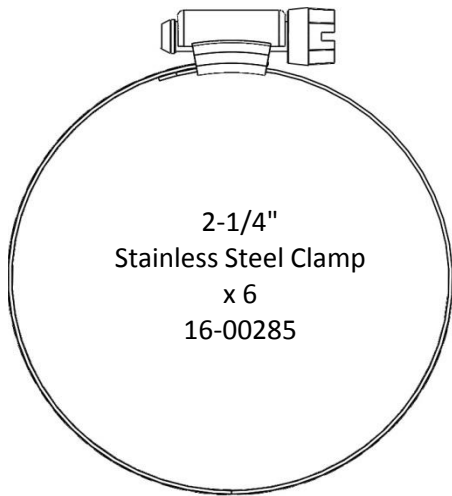
BUYER'S SOLE AND EXCLUSIVE REMEDY AND RINEHART RACING'S™ SOLE LIABILITY FOR LOSS OR DAMAGE ARISING FROM PURCHASE OR USE OF THE PRODUCT SHALL BE LIMITED TO REPAIR OR REPLACEMENT OF THE DEFECTIVE PART AT COMPANY'S SOLE DISCRETION. IN NO EVENT SHALL COMPANY BE LIABLE FOR ANY LOSS OF USE, REVENUES, OR ANTICIPATORY PROFIT, OR FOR ANY DIRECT, INDIRECT OR CONSEQUENTIAL DAMAGES ARISING OUT OF OR CONNECTED WITH THE SALE, USE OPERATION, OR INABILITY TO USE OF PRODUCTS PURCHASED FROM COMPANY TO THE EXTENT PERMITTED BY LAW, COMPANY MAKES NO OTHER REPRESENTATIONS OR WARRANTIES, WHETHER EXPRESSED OR IMPLIED, INCLUDING WITHOUT LIMITATION, WARRANTIES OF MERCHANTABILITY OR FITNESS FOR A PARTICULAR PURPOSE, AND ALL SUCH WARRANTIES ARE EXPRESSLY DISCLAIMED. IN NO EVENT SHALL COMPANY'S LIABILITY EXCEED THE AMOUNT OF THE PARTICULAR DEFECTIVE PRODUCT PAID BY THE PURCHASER. THIS LIMITATION OF LIABILITY SHALL BE APPLICABLE TO ANY CLAIM PRESENTED, WHETHER THE LEGAL THEORY FORMING THE BASIS OF SUCH CLAIM INVOLVES CONTRACT, TORT, NEGLIGENCE, STRICT LIABILITY, STATUTE, REGULATION, CONSUMER PROTECTION LAWS OR OTHERWISE.

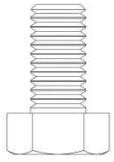
DISCOLORATION & TUNING

Discoloration of exhaust is generally a result of improper fuel calibration & tuning. In addition, discoloration can be the result of electrical issues or engine malfunction. Discoloration is not the result of defective plating or coating and as such, is not a warrantable item.

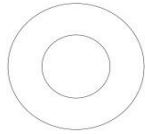
RETURN & REFUND POLICY

No return of merchandise will be accepted without first securing a Return Merchandise Authorization ("RMA") number provided by Rinehart Racing™. Buyer must submit, in writing, evidence of purchase date, copy of invoice indicating goods purchased, reason for return, exchange or refund, and RMA number. At its sole discretion, Rinehart Racing™ may accept or deny the claim for return, exchange or damage. If accepted and if the goods have not be used and are in a resalable condition, Company shall provide refund within 30 days of purchase; subject to a fifteen percent (15%) restocking fee. If the product has been installed, no refund, return or exchange shall be allowed. No refund, return or exchange is allowed after 45 days from the date of invoice. Buyer is responsible for return freight, and must include all original packaging, materials, manuals, hardware and copy of invoice. All products returned must be securely packed and delivered to Company in an undamaged condition. Rinehart Racing™ may refuse or reject returned product for failure to follow the conditions set forth herein.





5/16" x 5/8"
Hex Bolt
x 2
35-00002



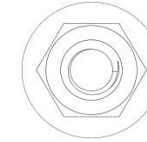
5/16"
Flat Washer
x 2
35-00007



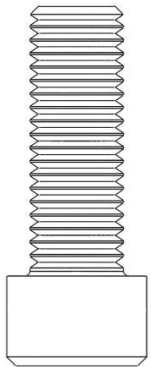
5/16"
Locking Nut
x 2
35-00005



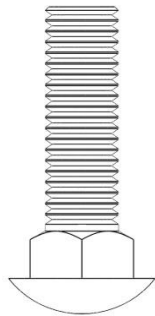
1/2"
Front Floorboard Spacer
x 2
29-00028B



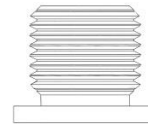
3/8"
Serrated Flange Nut
x 1
35-00039



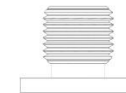
1/2" x 1-1/2"
Socket Head Cap Screw
x 2
35-00035



3/8" x 1-1/4"
Carriage Bolt
x 1
35-00038



18 mm
O2 Bung Plug
x 2
35-00083BA



12 mm
O2 Bung Plug
1 pair
35-00085BA